

# Smart SFP Rate Converter

1G to 10G, 10/100M to 1G



Smart SFP Rate Converters have the ability to convert data rate from 1G to 10G and from 10/100M to 1G. They allow to connect low speed devices with fiber or copper ports to a variety of different network equipment.

Smart SFP Rate Converter can be essential during network upgrades when connecting low speed or legacy devices to modern network equipment with high speed interfaces such as 10/25/100G or to network equipment with SFP slots only.

There are two modifications:

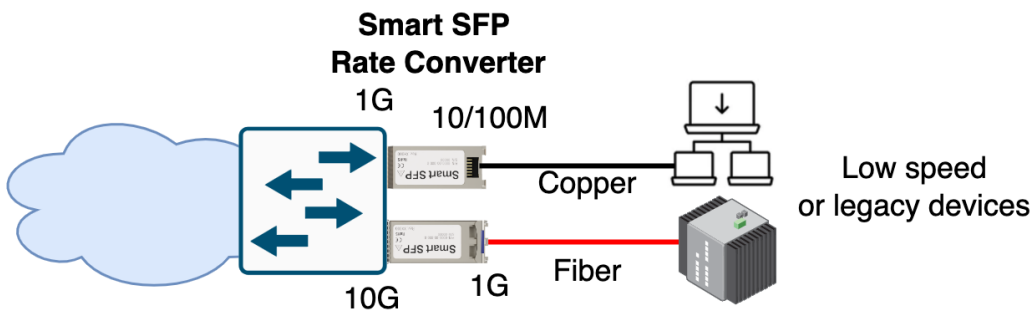
- 1G to 10G with fiber line interface
- 10/100M to 1G with copper line interface

### Applications:

- Network upgrade
- Legacy devices connection
- Rate matching

### Key features:

- 1G <-> 10G
- 10/100M <-> 1G
- Line rate performance
- Fiber and copper interfaces



### Features:

- Store and forward switching
- Line rate packet processing
- Max frame size 10000 bytes
- Independent speeds at line and host interfaces
- Line to host rate matching:
  - 1G to 10G and 10G to 1G
  - 10/100M to 1G
- 1G to 10G model:
  - 1000BASE-X, 10GBASE-R at line and host interfaces
  - 1310 nm, 2xSMF, LC, 10 km
- 10/100M to 1G model:
  - 10/100/1000BASE-T at line interface
  - 10/100/1000M Full/Half duplex auto negotiation
  - 1000BASE-X at host interface

### Management<sup>1</sup>:

- CLI over SSH
- Static IP, DHCP
- IPv4, IPv6
- VLAN
- LED status indicator
- Remote software upgrade

### General:

- Digital Diagnostics Monitoring (DDM)
- SFP/SFP+ MSA compliant
- Multi-vendor compatibility
- Industrial temperature

### Ordering information

Intelligent SFP module, MIPS CPU, Ethernet switch, 1/10 Gigabit Ethernet, DDM, 1310 nm, 10 km, 2xSMF, LC

Intelligent SFP module, Rate converter, 10/100/1000BASE-T Auto, 1000BASE-X, RJ-45

<sup>1</sup> - only for 1G to 10G model, 10/100M to 1G model is unmanaged