

# Smart SFP OTDR Slot Extender

Add fiber fault location capabilities to the equipment

Smart SFP OTDR Slot Extender is a special complementary component for Smart SFP OTDR. This unique device allows Smart SFP OTDR to be connected along with the SFP+ or QSFP28 transceiver into the same SFP+/QSFP28 slot on the Ethernet switch or router.

This solves an issue when there is a need to monitor an optical fiber but it is not possible to plug Smart SFP OTDR into the existing network equipment for some reason – lack of free SFP slots, administrative restrictions, or when it doesn't make sense to occupy additional ports on the network equipment.

When OTDR Slot Extender detects optical signal loss (Rx LoS) on SFP+/QSFP28 module, it automatically switches I2C management interface to Smart SFP OTDR. Then Smart SFP OTDR measures the distance to the fiber break and reports it via DDM and module IDs to the network equipment.

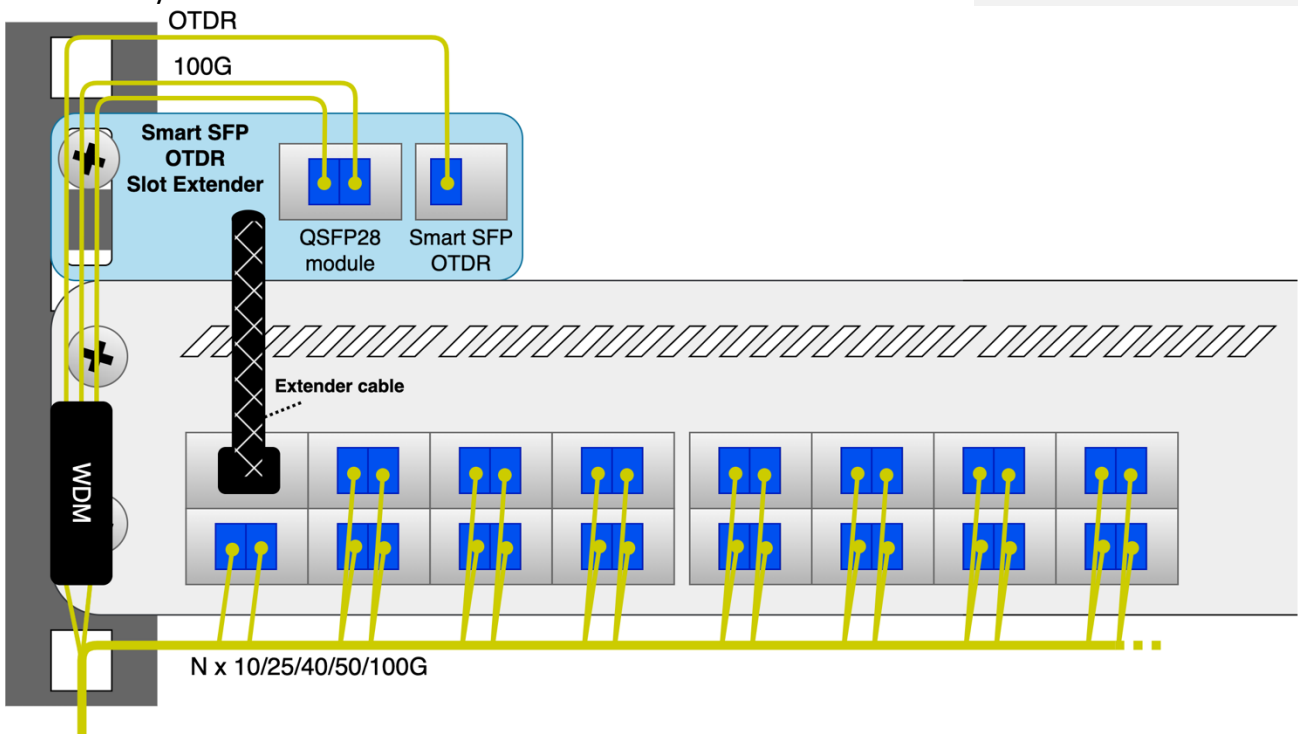
Slot Extender has a small, rugged case and can be firmly placed on top of the network equipment using the magnetic mount or can be rack mounted in a traditional way.

### Applications:

- Access networks
- Metro Ethernet
- CWDM
- Datacenter Interconnect (DCI)

### Key features:

- Hot pluggable
- Compatible with any networking equipment
- Power from SFP+/QSFP28 slot



### General:

- IEEE 802.3bj compliant
- SFP+ and QSFP28 MSA compliant
- Multi-vendor compatibility
- Industrial temperature

### Ordering information

- Smart SFP OTDR slot extender, SFP+
- Smart SFP OTDR slot extender, QSFP28

Find out more: [plumspace.com](http://plumspace.com), [info@plumspace.com](mailto:info@plumspace.com)

We are open for partnership