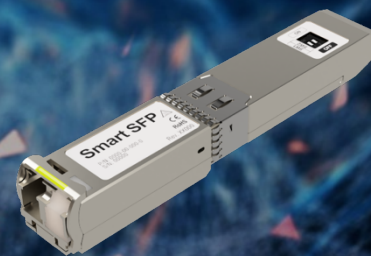


Smart SFP OTDR Lite

Fiber Fault Reflectometer



Smart SFP OTDR Lite is a Gigabit Ethernet and STM-1/4 transceiver with built-in OTDR function.

Acting like a conventional SFP transceiver, once optical signal loss detected Smart SFP OTDR Lite automatically measures the distance to the fiber break point and reports it.

It is installed in network equipment of any vendor for fast break point identification of the optical fiber and for real time optical links monitoring.

Smart SFP OTDR Lite can be used to upgrade handheld Ethernet testers with an SFP slot.

Benefits of deploying:

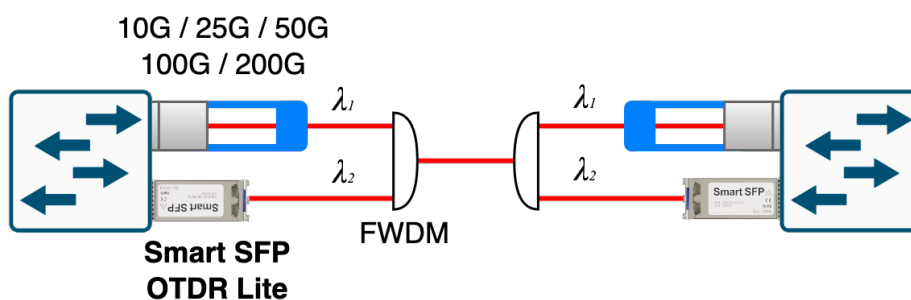
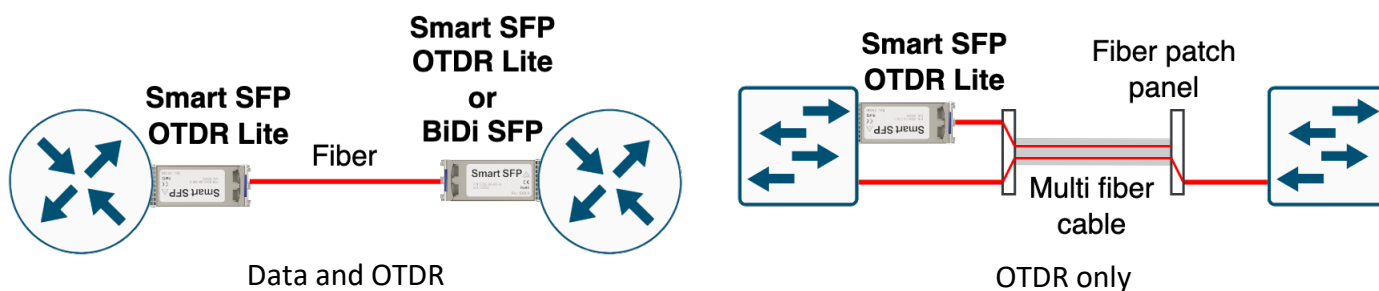
- Instant fiber break point identification
- Identify the distance to significant intermediate events with the high levels of reflected signal – air gap, dirty connector, bad splice and etc.
- Real-time remote fiber monitoring – break, degradation
- Operating over dark fiber and CWDM
- Less expensive than handheld or rack-mounted OTDR
- Reduce OpEx by eliminating false technician dispatches
- Reduce MTTR by locating fiber optic faults in seconds

Applications:

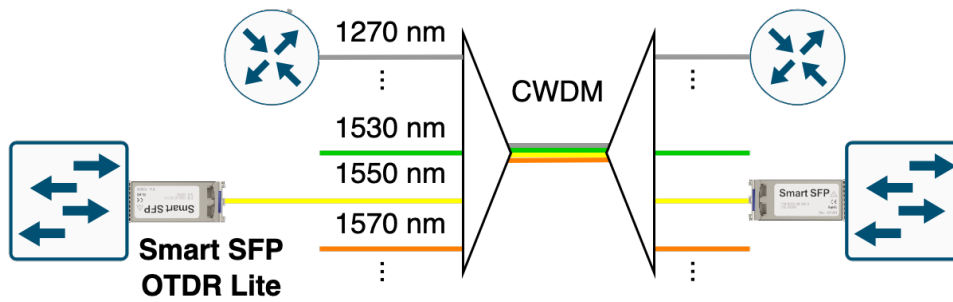
- Access networks
- Metro Ethernet
- CWDM
- Datacenter Interconnect (DCI)
- Remote Fiber Test Systems (RFTS)

Key features:

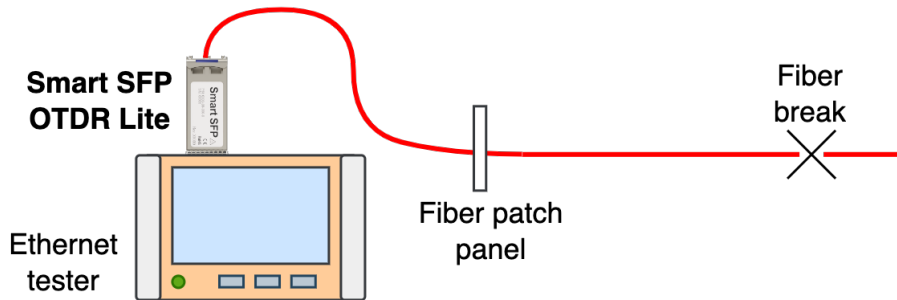
- Fast fiber break point identification
- 2 in 1: SFP and OTDR
- 10/25/40/50/100G links with FWDM
- Auto, manual or scheduled switching between SFP and OTDR modes
- Up to 40 km
- Results over DDM and module IDs



Connecting to high speed links



Connecting to CWDM systems



Add OTDR capability to any Ethernet tester

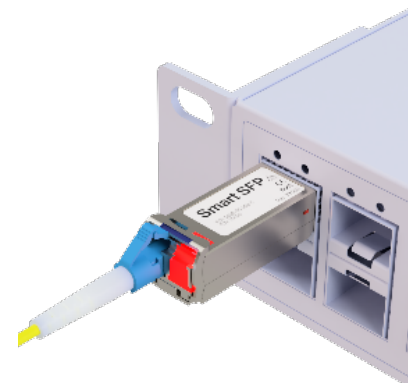
```

switch# show transceiver
... some lines omitted
Vendor name: PlumSpace
Vendor serial number: 00123
...
Port | Temp (C) | Voltage (V) | Tx Bias (mA) | Tx Power (dBm) | Rx Power (dBm)
-----|-----|-----|-----|-----|-----
1/10 | 54 | 3.28 | 26 | -0.43 | -12.0

switch# show transceiver
... some lines omitted
Vendor name: 37654_m
Vendor serial number: 37654_m
...
Port | Temp (C) | Voltage (V) | Tx Bias (mA) | Tx Power (dBm) | Rx Power (dBm)
-----|-----|-----|-----|-----|-----
1/10 | 54 | 3.28 | 37.65 | -0.43 | -40.0

```

Example of getting OTDR result over CLI



Operating mode indication

Features:

- Gigabit Ethernet, 1.25 Gbps
- STM-1/4, 155/622 Mbps
- Operating modes: Data + OTDR, OTDR only
- Wavelengths: any CWDM, 1625, 1650 nm
- Single wavelength single fiber operation (SWSF)
- Operating distance: up to 40 km
- Measuring distance accuracy: 5 to 50 m
- OTDR Tx pulse power: > 10 dBm
- OTDR Rx sensitivity: < -46 dBm
- Result output format: XXXXXX meters / YY.ZZZ miles

Management:

- CLI, SNMP, Web (depends on host capabilities)
- Report measurement result over:
 - module IDs – Vendor name, Serial number
 - DDM – Bias current
- I2C management
- Front LED to indicate operating mode

General:

- Digital Diagnostics Monitoring (DDM)
- SFP MSA compliant
- Multi-vendor compatibility
- Industrial temperature

Ordering information

Intelligent SFP module, Gigabit Ethernet, STM-1/4, Fiber Fault Reflectometer, I2C management, 1000BASE-EX, DDM, Tx: 1550 nm, Rx: 1550 nm, 40 km, SMF, LC/UPC

Optionally – any CWDM, 1625, 1650 nm wavelength

Find out more: plumspace.com, info@plumspace.com

We are open for partnership

